

MJ-7 Series Heavy Duty Limit Switch

◆ Features

- ✓ Heavy duty aluminum limit switch
- ✓ Dust, water, and oil resistant; IP65
- ✓ PF1/2" or M20 threaded hole at bottom of switch
- ✓ 2-circuits in-1 switch
 - ⚠ Be extremely cautious when planning & installing 2 circuits!
- ✓ 45° and 90° actuator travel types
- ✓ Terminals protected with protruding plastic insulation fins on sides



◆ Recognition(s)

- ✓ CE – EN60947
- ✓ UL – UL-508
- ✓ CCC – GB14048.5-2008
- ✓ RoHS Compliant
- ✓ Reach Unaffected



◆ Characteristics

Positive Opening	Electrical Contact	Terminal Type	Contact Form(s)	Poles & Throws	Actuation Sequence(s)
No	4 Points	Screw	Form Z	SPDT-NC-NO	Double Break(1) Double Make(2)

Operating Temp.	AC Rated	DC Rated	IP	Oil Resist	Dust Resist	Water Resist	Operating Speed
-10 to 80 Celsius	10A 125-300V	0.4A 250V, 0.8A 125V	65	Yes	Yes	Yes	1mm to 2m/sec

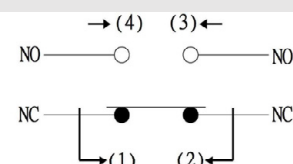
Operation Frequency	Contact Resistance	Insulation Resistance	Vibration
Mechanically: 120/min Electrically: 30/min	15mΩ max. (initial)	100MΩ min. (500VDC)	1.5mm amplitude at 10-55Hz

Storage Humidity	Service Life (min.)	Dielectric Strength
85% RH max	Mechanically: 15,000,000 operations Electrically: 500,000 operations	1000VAC, 50/60Hz for 1 minute between non-continuous terminals

Recommended tightening forces

Purpose	Screw type	Tightening
Mounting	M5	4.9~5.88 N·m
Enclosure cover		1.18±0.15 N·m
Screw terminal		0.25±0.05 N·m

Circuitry

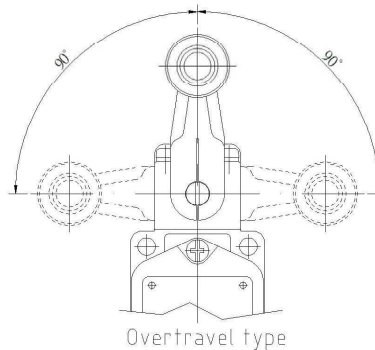
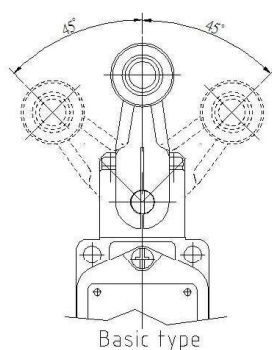


◆ Materials

Actuation touch part	Electrical contact point	Enclosure
Nylon, or Stainless Steel, or Plastic	Silver 99.9%	Aluminum alloy

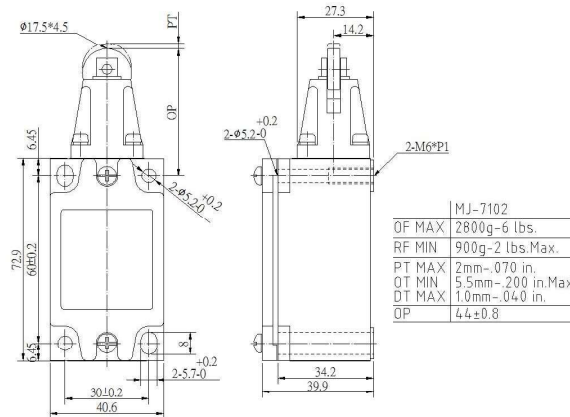
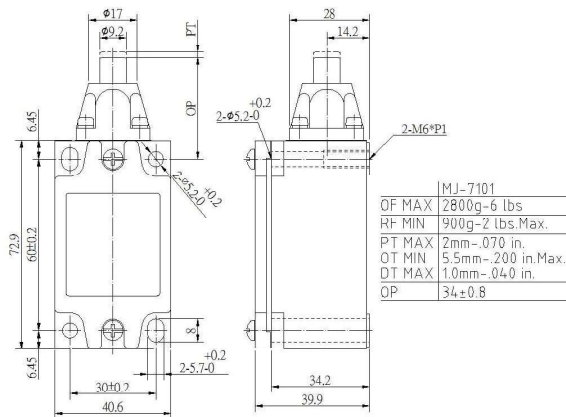
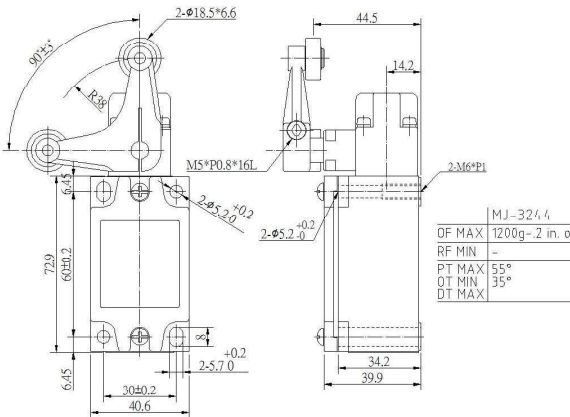
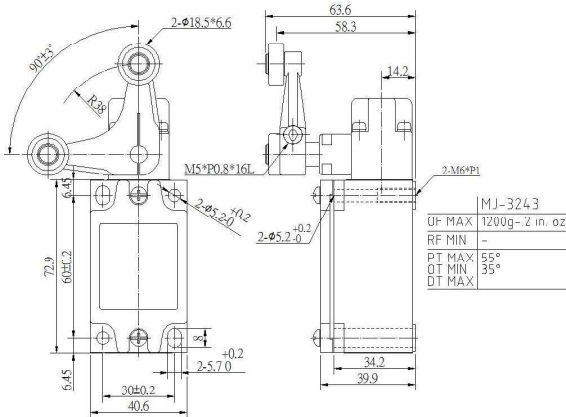
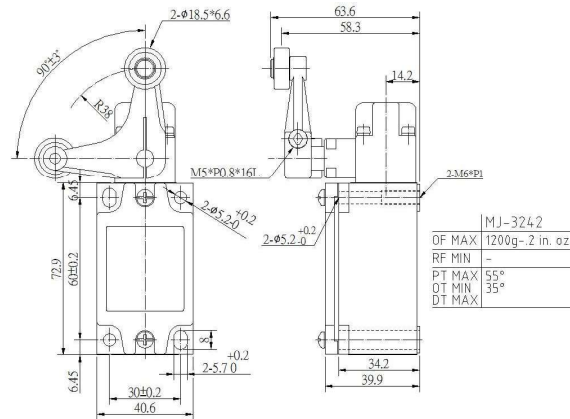
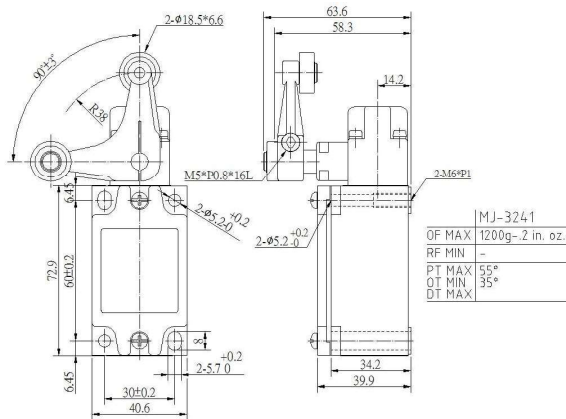
◆ Nomenclature

Series:	Actuator:	Through hole:
MJ –	7101 –	
	7101=Metallic Pin plunger 7102=Metallic Roller plunger 7102R=Cross metallic roller plunger 7103=Metallic Ball bearing plunger 7104=Side rotary, metallic roller, 45° travel 7104-PT=Side rotary, Teflon roller, 45° travel 7104-26= Side rotary, ø50mm rubber roller, 45° travel 7106=Spring, metallic coil 7107=Side rotary, adjustable metallic rod, 45° travel 7107L=Side rotary, adjustable metallic rod, long, 45° travel 7108=Side rotary, adjustable metallic roller, 45° travel 7108-PT=Side rotary, adjustable Teflon roller, 45° travel 7108-26= Side rotary, adjustable ø50mm rubber roller, 45° travel	Blank=PF1/2" M20=M20 thread (cable gland excluded)
	Side Rotary, Fork Lever Lock (Yoke), Nylon rollers 3241=Front/Back Facing nylon rollers, 90° travel 3242=Front/Back Facing nylon rollers, 90° travel 3243=Front Facing nylon rollers, 90° travel 3244=Back Facing nylon rollers, 90° travel	
	Over Travel, 90° travel 7204=Side rotary, metallic roller 7204-26=Side rotary, ø50mm rubber roller 7207=Side rotary, adjustable metallic rod 7207L=Side rotary, adjustable metallic rod, long 7208=Side rotary, adjustable metallic roller 7208-26= Side rotary, adjustable ø50mm rubber roller	



◆ Dimensions & Operating Characteristics

*Measurements in millimeters



MJ-3241



MJ-3242



MJ-3243



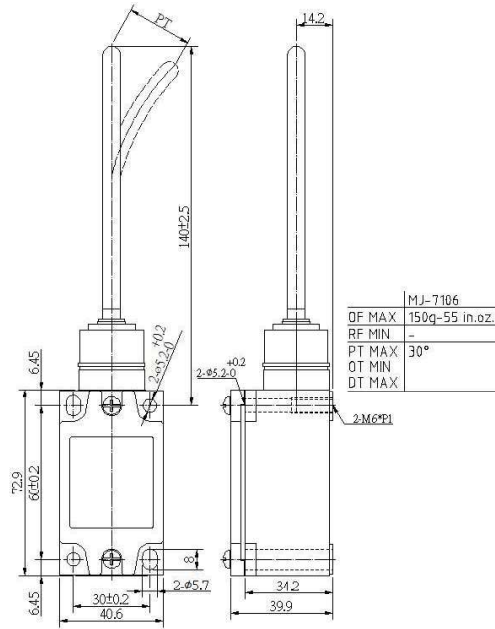
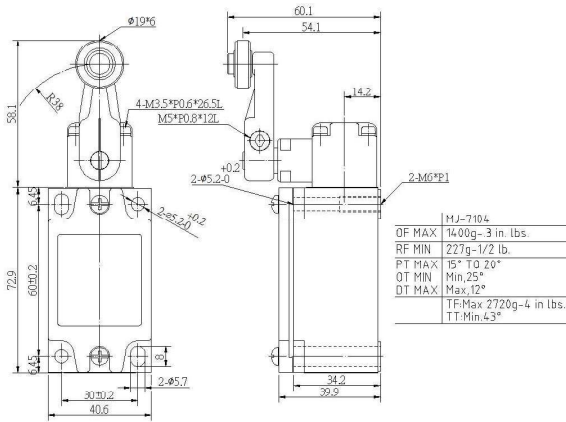
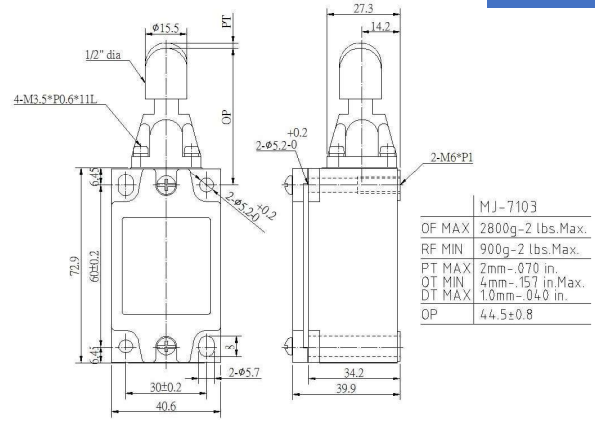
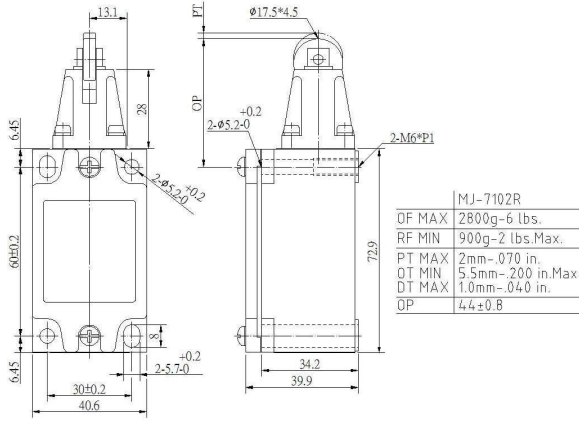
MJ-3244



MJ-7101



MJ-7102



MJ-7102R



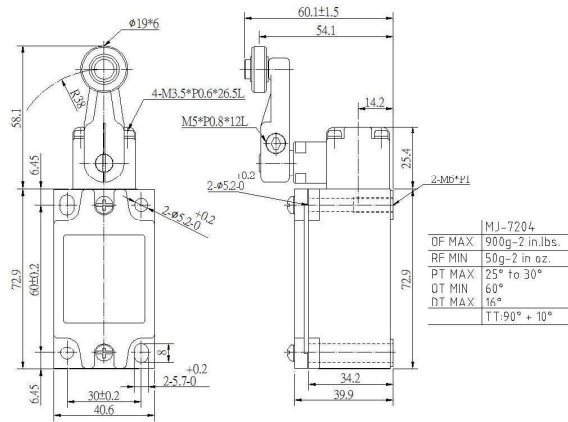
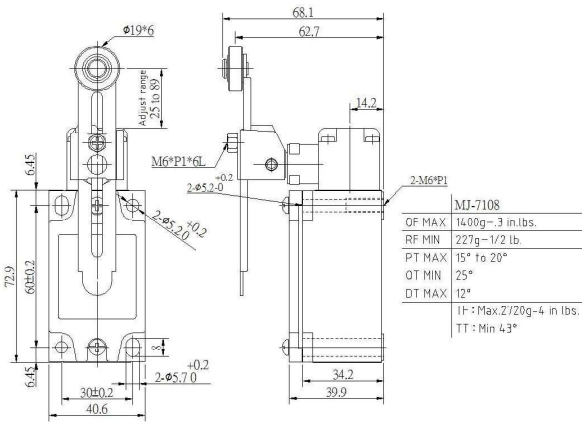
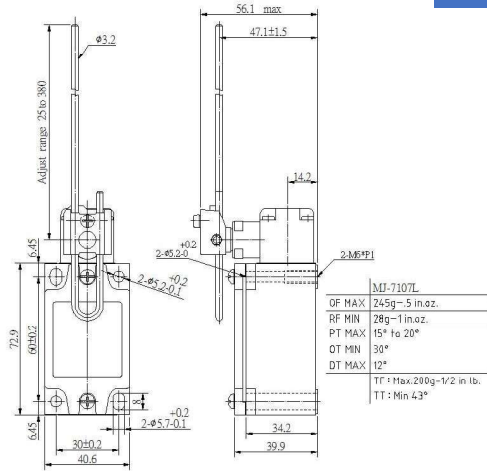
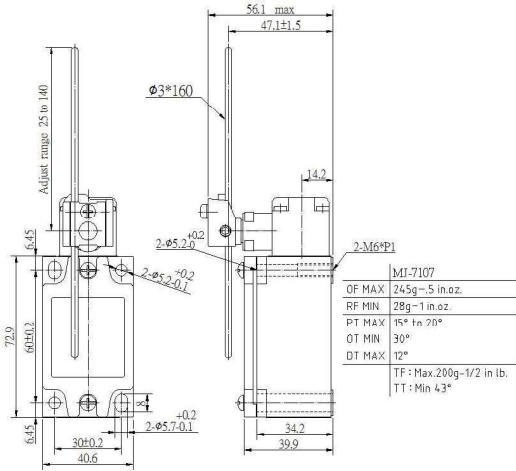
MJ-7103



MJ-7104



MJ-7106



MJ-7107



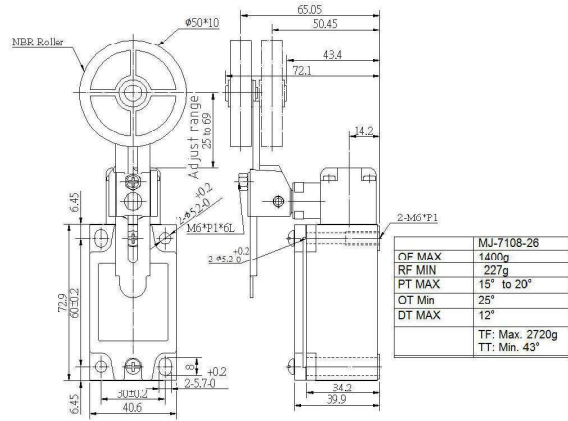
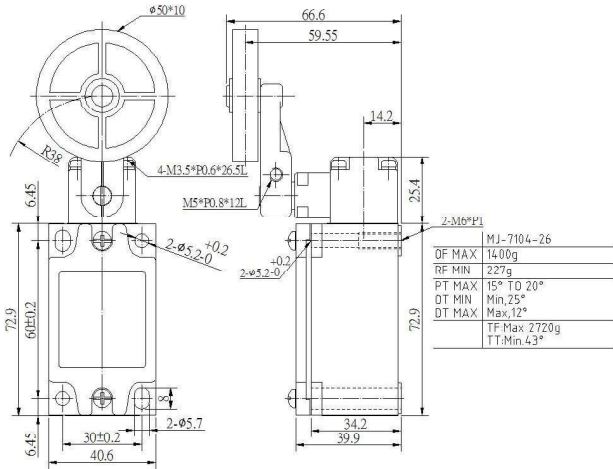
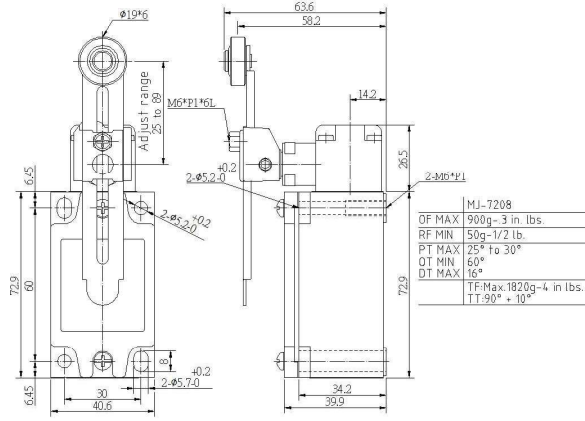
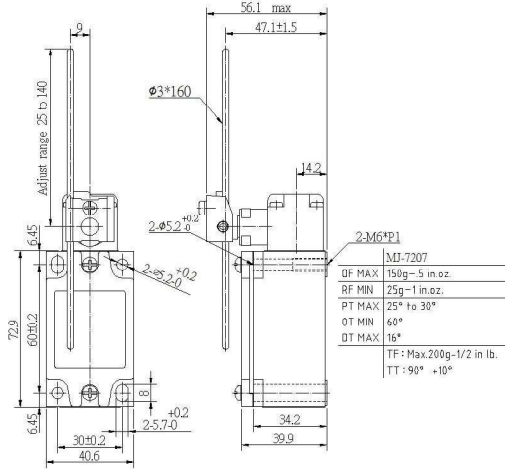
MJ-7107L



MJ-7108



MJ-7204


MJ-7207

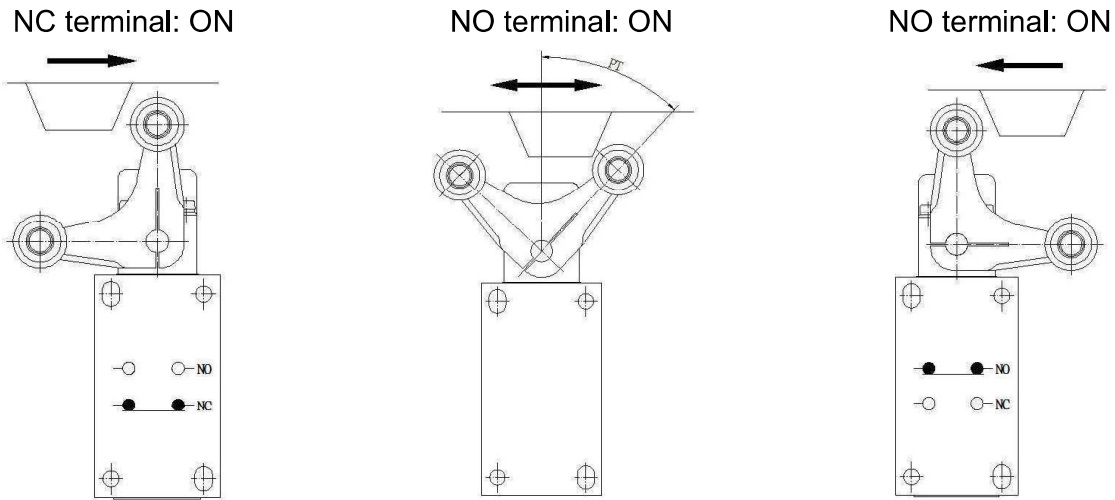
MJ-7208

MJ-7104-26

MJ-7108-26

◆ Handling and Usage

Operation of Fork Lock Lever switches:



Fork Lock Lever roller positions:

