

**M4CZ Series**  
**Enclosed Basic Switch**
**◆ Features**

- ✓ Basic switch made with additional durable enclosure
- ✓ Completely sealed, Positive Opening switch
- ✓ Plastic PPS enclosure material helps resist against corrosive chemicals
- ✓ IP67 rated
- ✓ SVT cable type (UL approved)

**◆ Recognition(s)**

- ✓ CE – EN60947
- ✓ CCC – GB14048.5-2017
- ✓ RoHS Compliant
- ✓ Reach Unaffected


**◆ Characteristics**

Positive Opening	Electrical Contact	Terminal Type	Contact Form(s)	Poles & Throws	Actuation Sequence(s)
Yes	3 Points	Wire	Form C	SPDT	Break(1) Make(2)

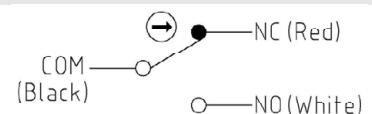
Operating Temp.	AC Rated	DC Rated	IP	Oil Resist	Dust Resist	Water Resist	Operating Speed
-20 to 70 Celsius	1.5A 250V	0.4A 125V	67	Yes	Yes	Yes	0.1mm to 0.5m/sec

Operation Frequency	Contact Resistance	Insulation Resistance	Vibration
Mechanically: 120/min Electrically: 30/min	300mΩ max. (initial)	100MΩ min. (500VDC)	1.5mm amplitude at 10-55Hz

Storage Humidity	Service Life (min.)	Dielectric Strength
85% RH max	Mechanically: 2,000,000 operations Electrically: 500,000 operations	1000VAC, 50/60Hz for 1 minute between non-continuous terminals

**Recommended tightening forces**

Purpose	Screw type	Tightening
Mounting	M4	1.18~1.37N·m

**Circuitry**


◆ Materials

Actuation touch part	Electrical contact point	Enclosure
Nylon, or Stainless Steel	Silver 99.9%	PPC plastic with glass fiber

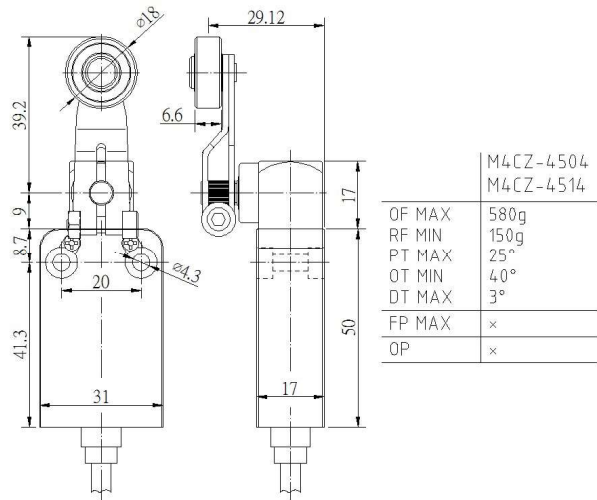
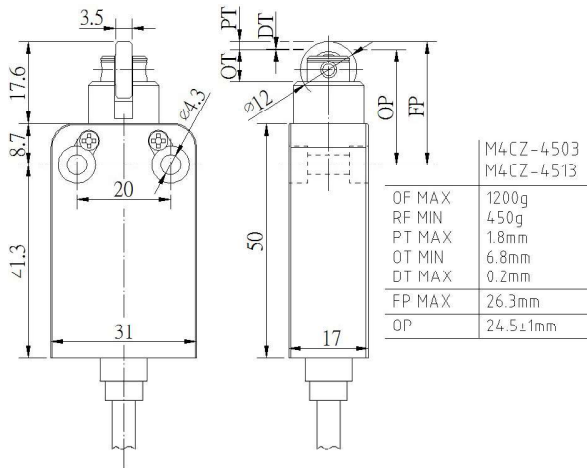
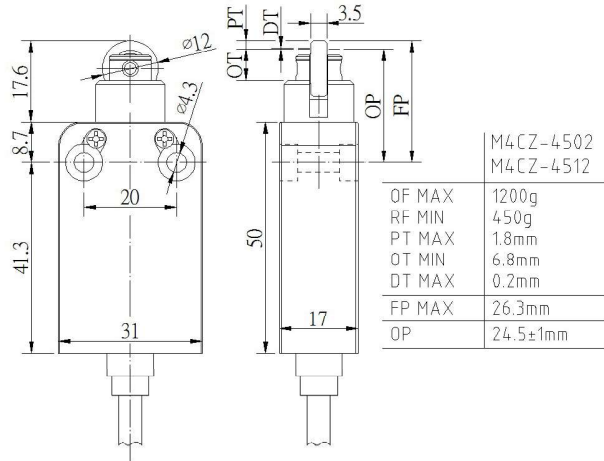
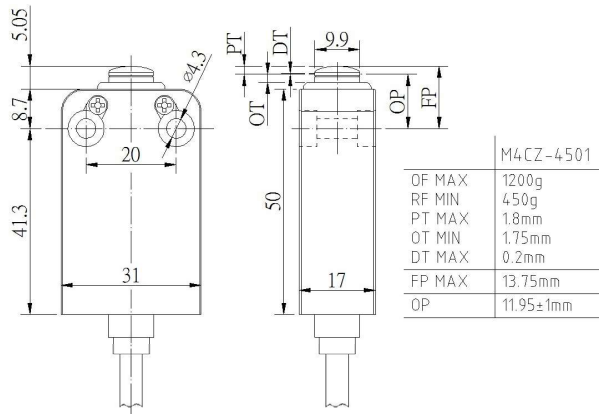
◆ Nomenclature

Series:	Cable direction	Actuator:	Cable Length:
<b>M4CZ –</b>	<b>45</b>	<b>01 –</b>	<b>1L</b>
	45=Bottom out	<u>Stainless Steel Touch Part</u> 01=Plunger 02=Roller plunger 03=Cross roller plunger 04=Side rotary, roller 06=Spring, coil 07=Side rotary, adjustable rod 08=Side rotary, adjustable roller 11=Plunger, sealed boot  <u>Nylon Touch Part</u> 12=Roller plunger 13=Cross roller plunger 14=Side rotary, roller 16=Spring, coil 18=Side rotary, adjustable roller	1L=1m SVT 2L=2m SVT 3L=3m SVT

### ◆ Dimensions & Operating Characteristics

\*Measurements in *millimeters*

\*Actuation touch part materials does not affect operating characteristics



M4CZ-4501



M4CZ-4502/4512

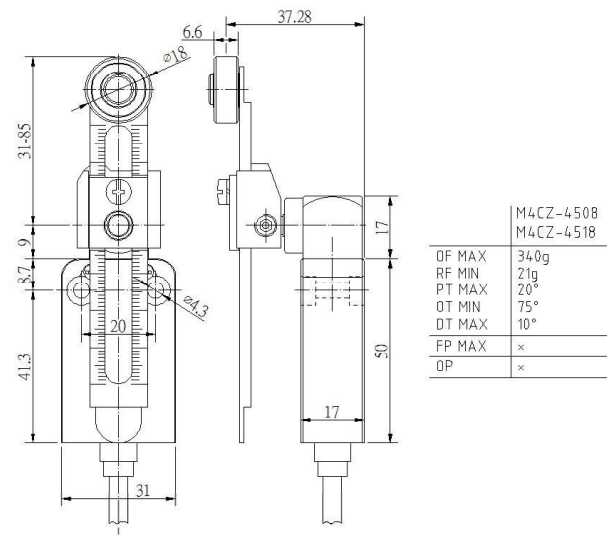
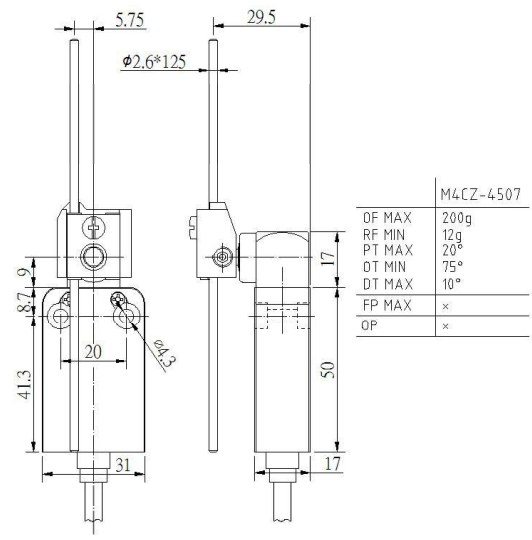
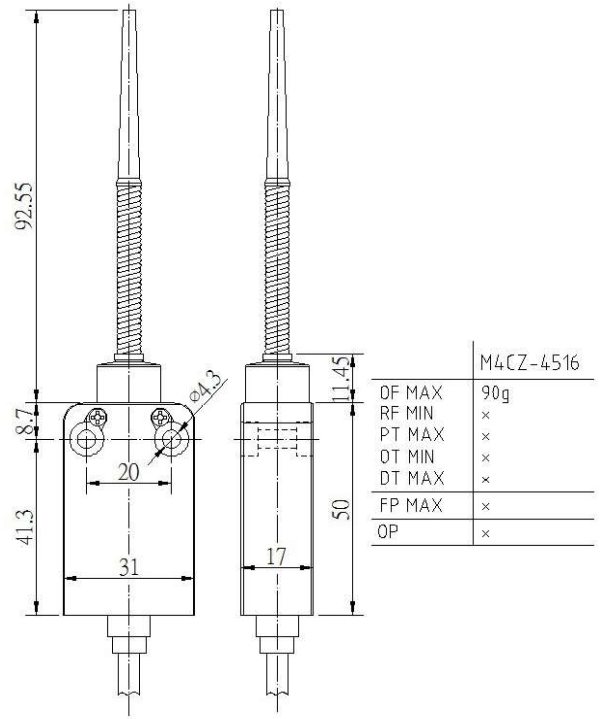
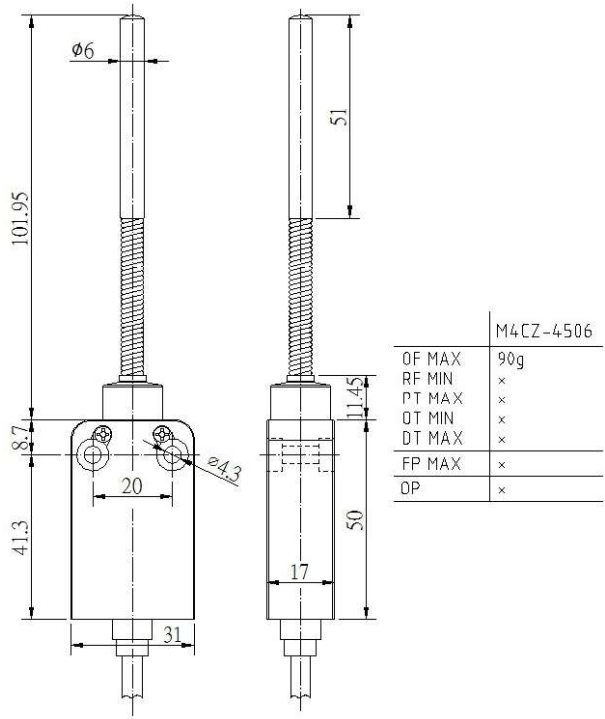


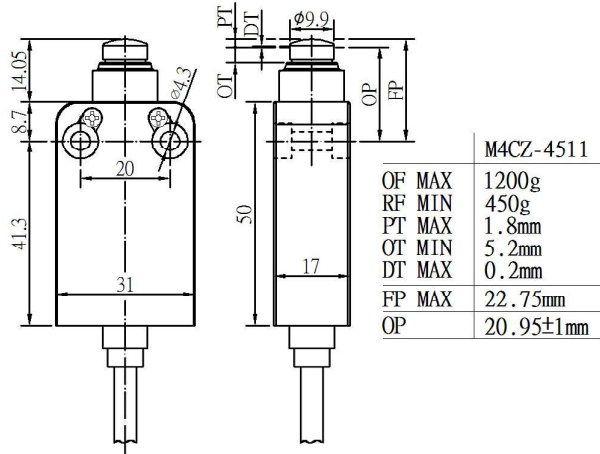
M4CZ-4503/4513



M4CZ-4504/4514

# M4CZ




**M4CZ-4511**

◆ Handling and Usage

The bottom of the Switch at the cable outlet is resin-molded. Secure the cable at a point 5 cm from the Switch bottom to prevent exertion of excess force on the cable.

When bending the cable, provide a bending radius of 45 mm min. so as not to damage the cable insulation or sheath. Excessive bending may cause fire or leakage current.

